



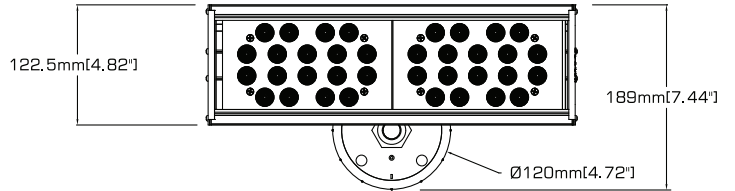
BEFORE MOUNTING, PLEASE READ THE LED ENGINE XB USER MANUAL FOR CABLING AND CONNECTION DETAILS.

Mounting Guide

WALL WASHER XB-18

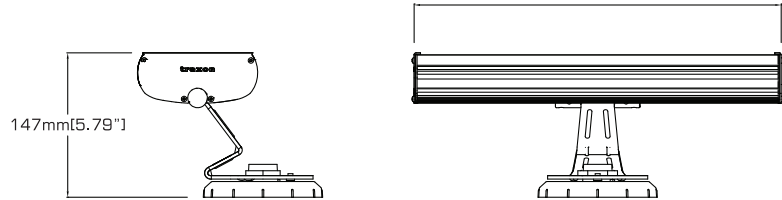
WALL WASHER XB-36

MODEL	WEIGHT
XB-18	1.73 KG/3.8 LB
XB-36	2.90 KG/6.4 LB

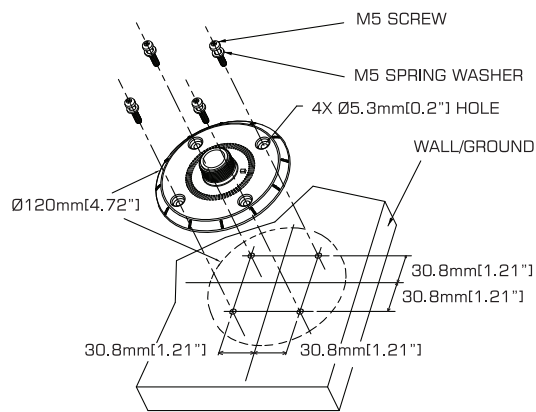


XB-18: 200mm [7.87"]

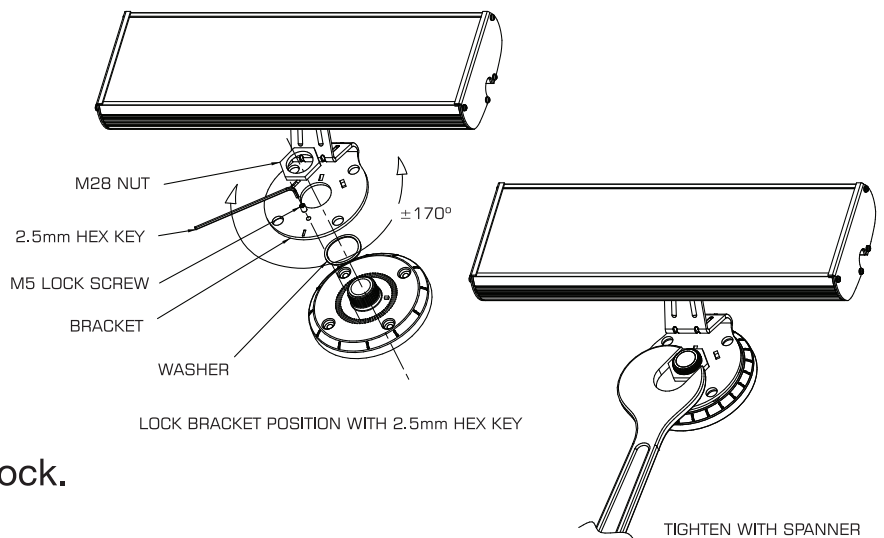
XB-36: 374mm [14.72"]



1 Mount baseplate.



2 Position unit and tighten nut.



3 Choose swing angle and lock.

